

CAR LD-CoBo

Coupling box for CAR Load Dump generator



According to
ISO 16750-2

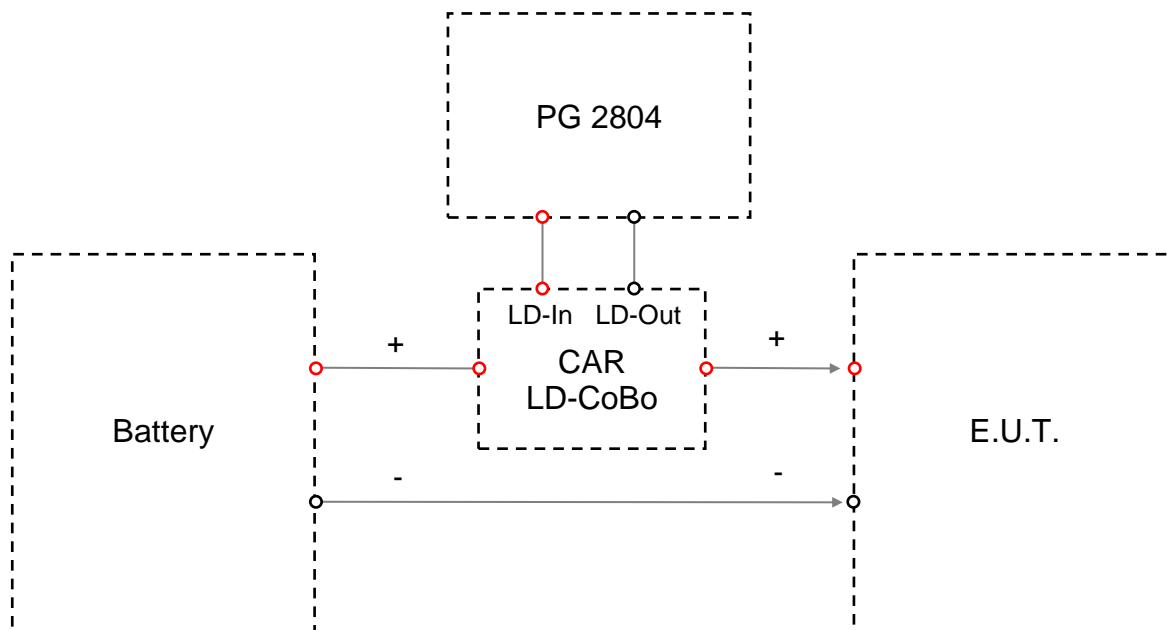
General:

The external coupling box CAR LD-CoBo is required in conjunction with the load dump generator PG2804, to couple the load dump impulse on to the battery voltage.

The technology of the coupling box is already integrated in the CAR-SYS generators. It is only required if the load dump generator is operated as a stand-alone device.

Operation:

The battery voltage of the equipment under test is connected to the input of the combo box. This is passed through the box and supplies the equipment under test that is connected to the output (D.U.T. port). The output of the load dump generator (PG 2804) is connected to the pulse inputs (LD-IN, LD-OUT). The generated pulse is then coupled to the applied battery voltage in the combo box. This means that the test equipment receives the test pulse while it is under battery voltage.



Technical specification	LD-CoBo
Impulse, Waveform	Load Dump impulse
Impulse voltage, max.	1.000 V
Battery voltage, max.	Vehicle voltages: 12V / 24V / 42V / 48V / 70V
Battery current, max.	50A / 100A
Dimension, W x D x L	120 x 90 x 160 mm ³
Weight	1,30 kg
Accessories	
Cable	HV cable, 2 x 0.5 m, 1 x red, 1 x black