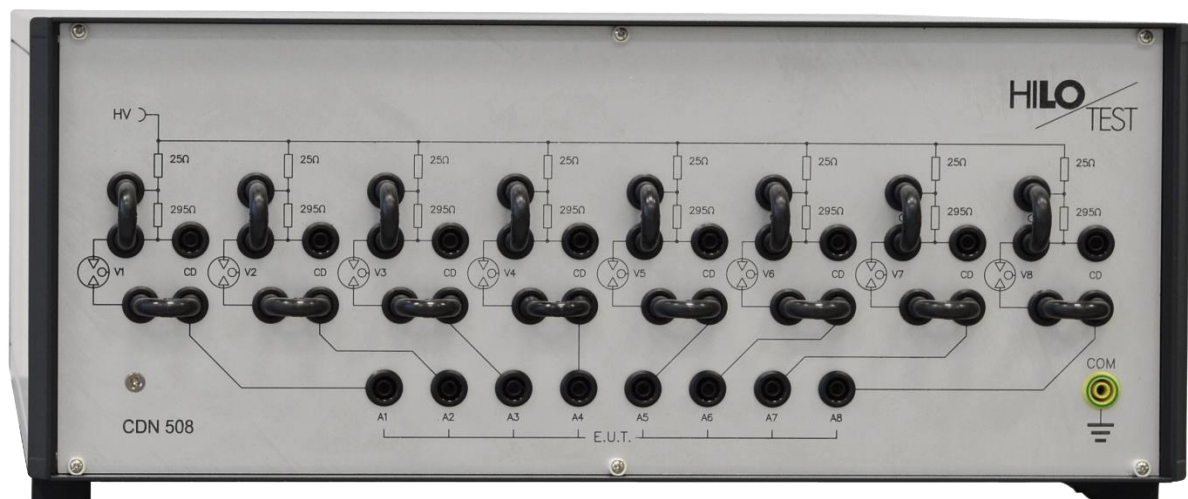


# Coupling-/Decoupling Network CDN 504/ 508 S - symmetrical

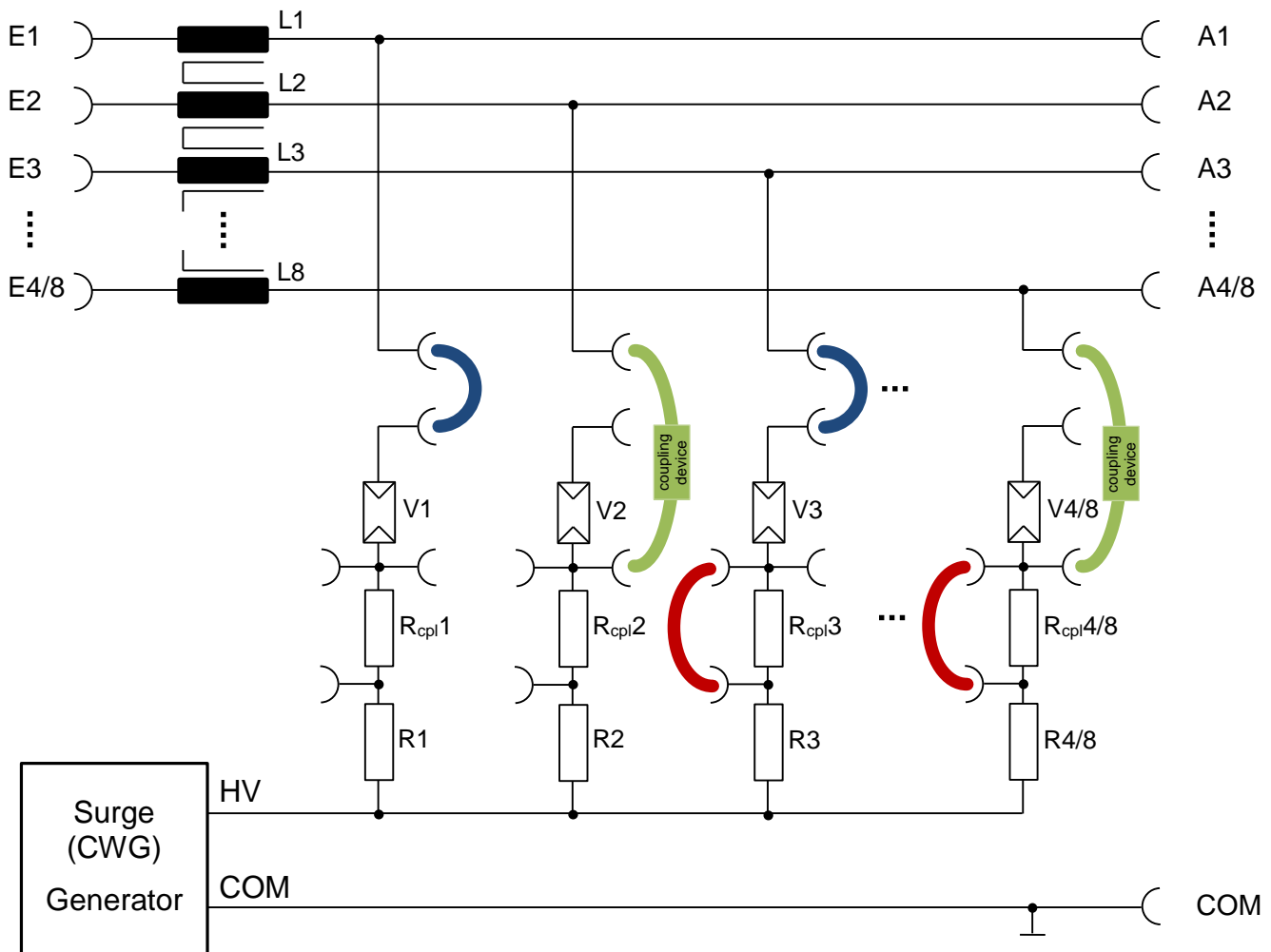
- Unshielded unsymmetrical interconnection lines
- Rated voltage 250VAC / 350VDC
- Surge: 5.0 kV, 1.2/50  $\mu$ s
- Surge: 5.0 kV, 10/700  $\mu$ s
- Coupling Impedance, selectable



**According to  
IEC 61000-4-5**

Designed for applying the impulse output voltage of the Combination Wave Generator to interconnection lines of the equipment under test, acc. to IEC 61000-4-5, Fig10.

The coupling/decoupling network CDN 504S / 508S essentially consists of a current compensated decoupling inductor, L1 – L4/L8, and a set of coupling impedances to be inserted in the coupling path.



Technical specification:	CDN 504S		CDN 508S
Rated voltage	250VAC / 350VDC		
Rated current	2A		
Max. test voltage	5.0 kV, 1.2/50µs, 10/700 µs		
Max. test current	2,5 kA, 8/20µs		
Coupling Impedance, selectable:	R1 – R4	25Ω	
	Rcp1 - Rcp4	135Ω	295Ω
	V1 – V4	over-voltage prot. 90V	
Decoupling inductors, current compensated	L1 – L4	≈20 mH, pair	
Dimensions: 19"-cabinet W * H * D	450*180*360mm <sup>3</sup>		
Weight	9.5 kg		

Accessories	CDN 504/508 S
1 HV-IN connecting cable with 4 mmØ connectors, 1 GND-connecting cable, yellow/green, connecting plugs 19 mm, connecting plugs 38 mm.	