

PG 10-150

Flammability test

Impulse output voltage:
± 0.5-10 kV

Energy storage capacitor
3 μF

Mains voltage, adjustable
300V / 16A

According to
IEC 60384-14:2013



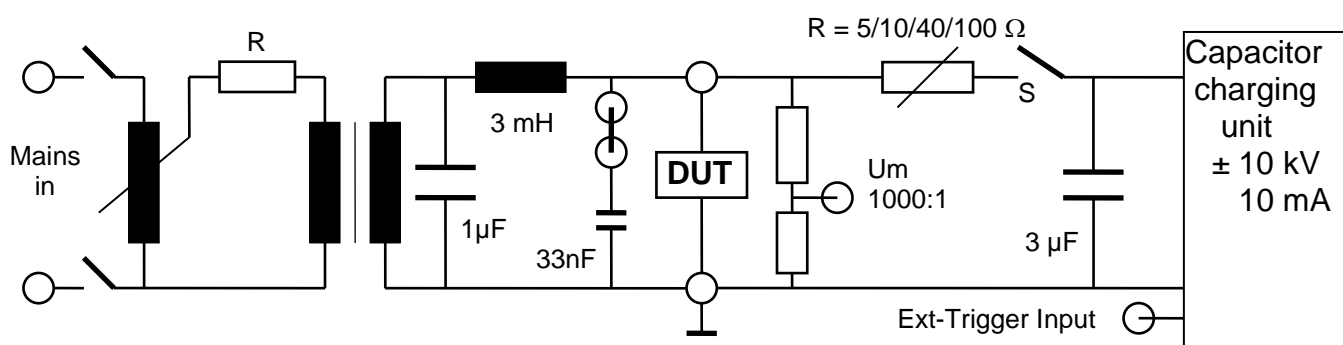
The PG 10-150 consists of a microprocessor controlled 7" touch screen control and display unit as well as a power unit.

A standard USB port provides the ability to print a summary of the test parameters to a USB stick.

The power unit consists essentially of a variable transformer with motor drive, isolating transformer, filter circuit, DUT with parallel capacitor and a high-voltage pulse generator. All settings in the power section are made on the control unit.

The pulse-forming networks according to IEC 60384-14 are adjustable.

Block diagram of the PG 10-150:



Options	PG 10-150
PROTECTIVE COVER PA504 ON THE EQUIPMENT TOP	
With safety interlock switch and grille for smoke extraction connected to the safety interlock loop, red and green warning lamps installed acc. EN 50191 (VDE 0104)	See figure
Software IPG-REMOTE, for remote control (Windows)	
With Impulse Recording Function (IRF)	
Incl. 5m long light guide and PC Ethernet interface	

TECHNICAL SPECIFICATIONS:	PG 10-150
Mainframe	
Microprocessor controlled touch panel	7", capacitive
Optical Ethernet Interface for remote control of the generator	optional
Interface for saving reports	USB
External Trigger input/ output	switch/ 10 V
Connector for external safety interlock loop	24 V =
External red and green warning lamps acc EN 50191 (VDE 0104)	24 V=, 40 mA
Mains power	230V, 16A, 50/60 Hz
Dimension: Case without protective cover, 24HE, W * H * D On 4 wheels, 2 lockable	550*1100*800 mm ³
Weight	85 kg
AC voltage source	
Output voltage, adjustable	0 - 300 V
Output current, max	16 A
filter capacitor	1 µF
series inductor	3 mH
Parallel capacitor C3, can be switched off	33 nF
High voltage impulse generator	
Charging voltage, adjustable	± 0.2 - 10 kV
Polarity	Pos / neg / alt
charging current	ca. 10 mA
Energy storage capacitor	3 µF
Series damping resistor R, switchable	5/10/40/100 Ω
⇒ The pulse-forming networks according to IEC 60384-14 are adjustable	
High voltage switch S, triggerable	built-in
DUT connection, pluggable, on the top of the unit	
Series resistor for current limiting	built-in